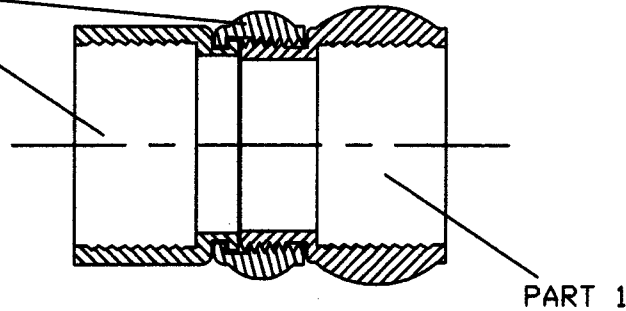


SECTION A-A

PART
2A & 2B



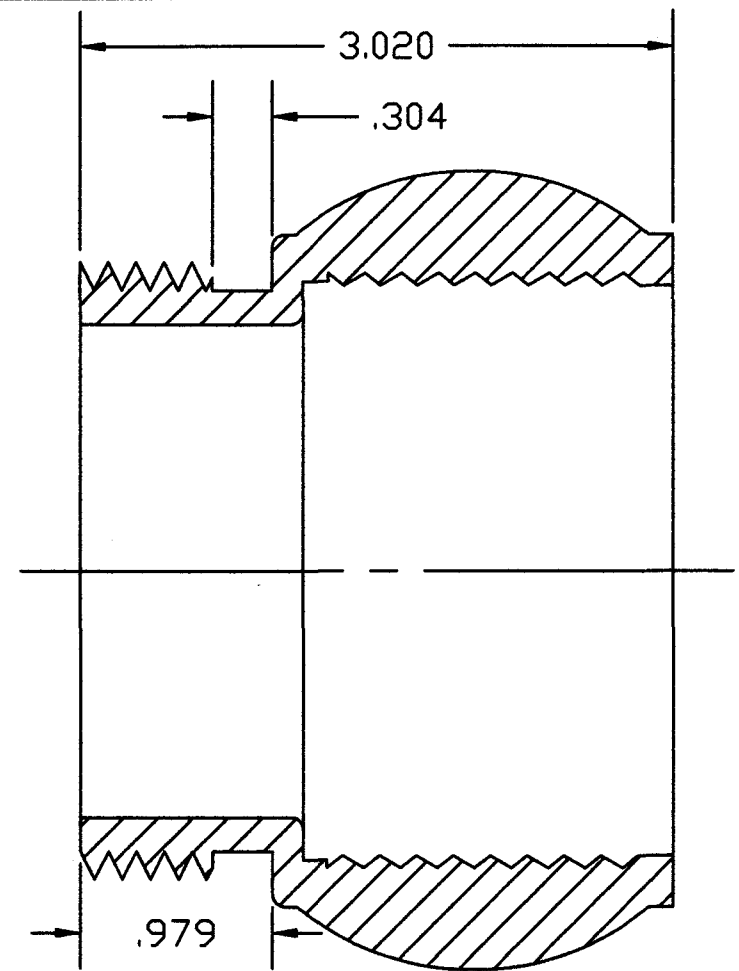
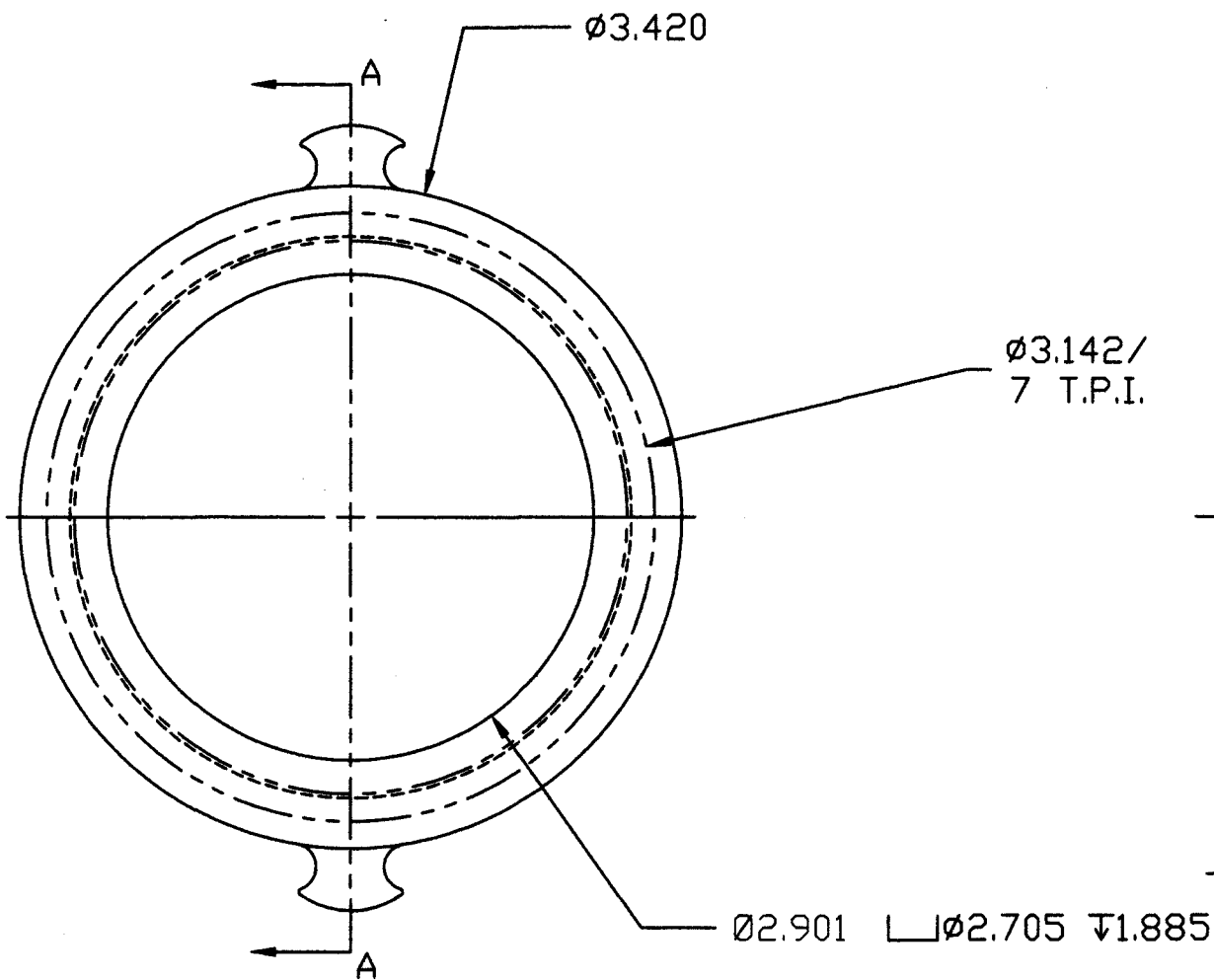
ASSEMBLY OF PARTS

SPECIFICATIONS WILL
SUPERSEDE ANY DIMENSION
OR NOTES ON THIS
SCHEMATIC DRAWING.

THREAD SPECIFICATIONS:

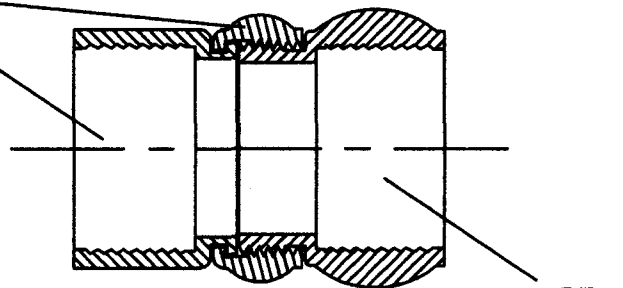
1. OUTER DIAMETER OF 3.142
2. THREAD DEPTH INNER DIAMETER OF 2.913
3. 7 TPI
4. THREAD PITCH OF .14285
5. PITCH DIAMETER OF 3.0275

CITY OF YORK, FIRE DEPARTMENT		
TITLE: 2 1/2 FIRE THREAD PART 2A & B		
SIZE: A	DRAWN BY: PHILIP ABREGHT II	DWG NO.: N/A
SCALE: 1" = 1"	DATE: 6/17/99	SHEET: 1 OF 2



SECTION A-A

PART 2A & 2B



ASSEMBLY OF PARTS

SPECIFICATIONS WILL SUPERSEDE ANY DIMENSION OR NOTES ON THIS SCHEMATIC DRAWING.

THREAD SPECIFICATIONS:

1. OUTER DIAMETER OF 3.142
2. THREAD DEPTH INNER DIAMETER OF 2.913
3. 7 TPI
4. THREAD PITCH OF .14285
5. PITCH DIAMETER OF 3.0275

CITY OF YORK, FIRE DEPARTMENT

TITLE: 2 1/2 FIRE THREAD PART 1

SIZE: A	DRAWN BY: PHILIP ABREGHT II	DWG NO.: N/A
SCALE: 1" = 1"	DATE: 6/17/99	SHEET: 1 OF 2